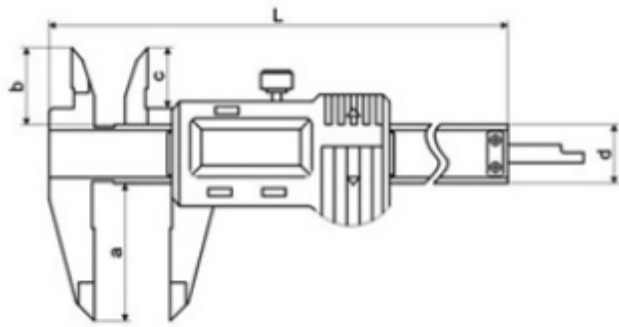


Features :

Four-purpose measurement
Manual power on/off
Inch/mm conversion
Zero-setting at any position
Data output

Specifications :

Measuring Range	Order No.	Resolution	Limit Error	L	a	b	c	d
0-150mm(0-6")	111-101	0.01mm(.0005")	±0.02mm	236	40	21	16.5	16
0-200mm(0-8")	111-102	0.01mm(.0005")	±0.03mm	286	50	24	19.5	16
0-300mm(0-12")	111-103	0.01mm(.0005")	±0.04mm	400	60	25	20.5	17